

HOW TO MAKE A ZIGZAG BOOK

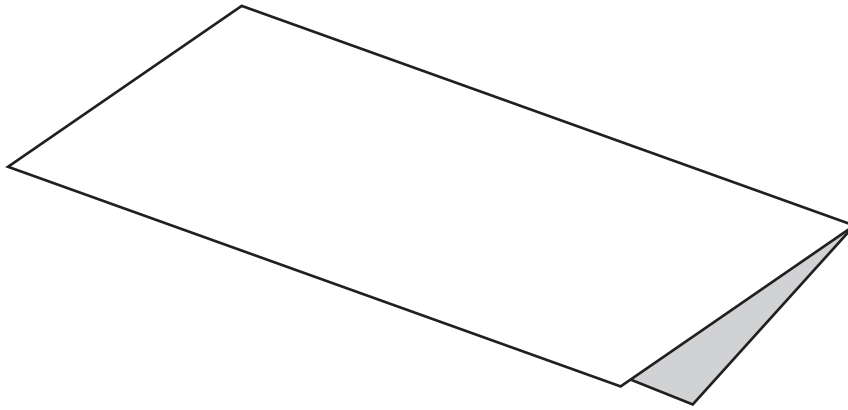
- the easier way!



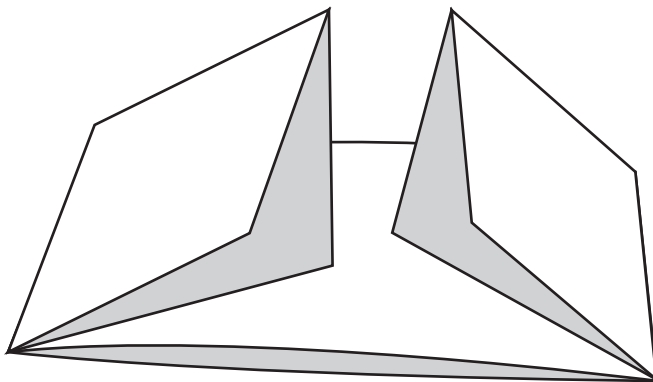
ZIGZAG BOOKS™
© Comic Company 2000
Fax: 0208 675 7486
www.comiccompany.co.uk

- * Be as exact as you can
- * Make the corners and edges meet when you fold
- * Crease the folds sharply

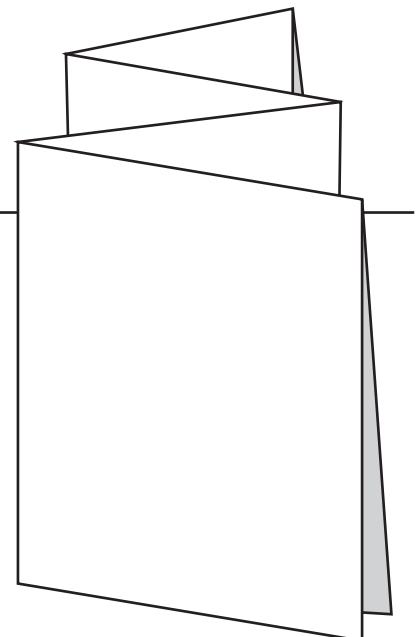
1. Start with the sheet printed side down.
Fold the sheet in half lengthways.



2. Keep the sheet folded. Find the front cover.
Fold it into the centre. Fold the other end of the strip into the
centre to meet the cover.



3. Fold in half again so the cover forms the
front of the zigzag book.



Make sure all the folds are creased well.
You've made a ZigZag book!

HOW TO MAKE A ZIGZAG BOOK



comic company

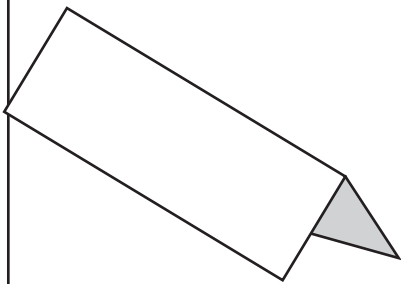
ZIGZAG BOOKS™

© Comic Company 2000

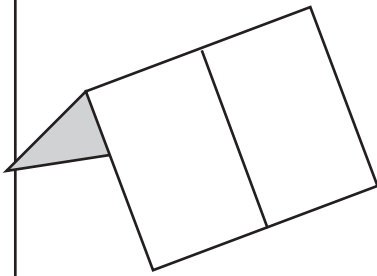
Fax: 0208 675 7486

www.comiccompany.co.uk

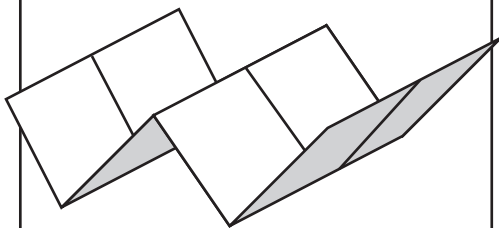
1. Start with the sheet printed side down. Fold the sheet lengthways. This makes the long fold. Open the sheet out.



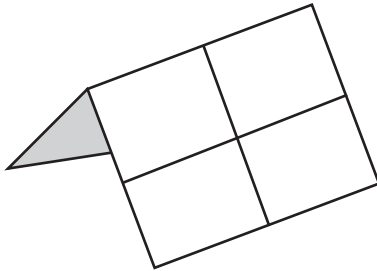
2. Fold the sheet end to end. This makes the centre fold. Open out.



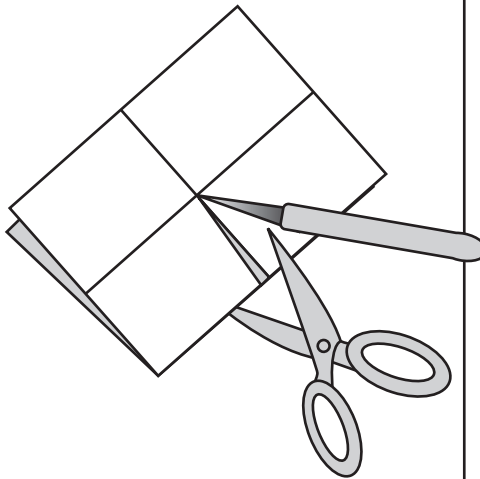
3. With the printed side up, fold both ends in to meet the centre fold. Open out.



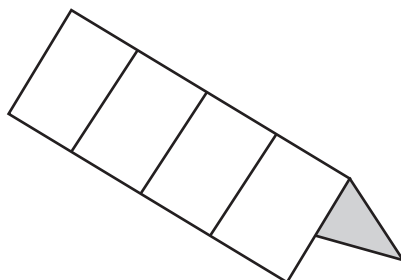
4. Fold the sheet end to end again, as in 2.



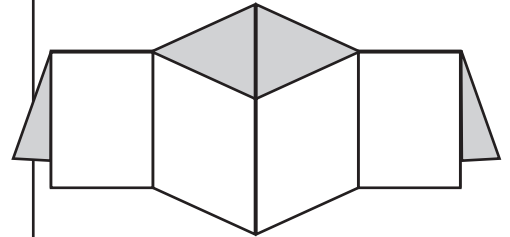
5. Using scissors or a craft knife, carefully cut along the dotted line on the long fold. Don't cut too far!



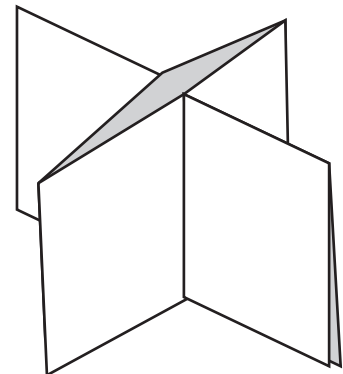
6. Open out. Fold lengthways, as in 1.



7. Pinch the two ends and push together so that the slit opens in the shape of diamond.



8. Push together, making a cross.



9. Find the front page. Fold the pages in the right order, and make the pages fit neatly.

